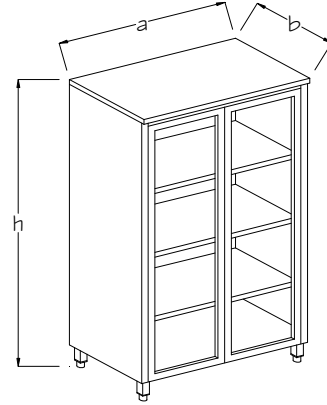




HİJYEN EKİPMANLARI
ÜRÜN KATALOĞU

06A104MEDICATION CABINET
ALET İLAÇ DOLABI

- AISI 304 STAINLESS STEEL BODY, SHELVES AND DOOR FRAME
- TWO SWINGING GLASS DOORS
- THREE INTERMEDIATE SHELVES
- LOCKABLE DOORS
- HEIGHT ADJUSTABLE RUBBER FEET
- OPTIONAL SWIVEL CASTORS WITH BRAKES

DIMENSIONS :

NARROW	(a x b x h)	:	700 mm x 500 mm x 1800 mm
WIDE	(a x b x h)	:	1000 mm x 500 mm x 1800 mm

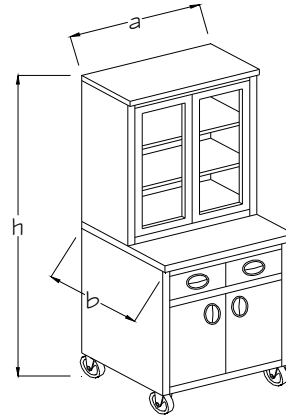
- AISI 304 PASLANMAZ ÇELİK GÖVDE, RAF VE KAPILAR
- ÇİFT CAM KAPILI
- 3 ADET ARA RAF
- KİLİTLENEBİLİR KAPILAR
- YÜKSEKLİK AYARLI İZ YAPMAYAN AYAKLAR
- OPSİYONEL FRENLİ TEKERLEKLER

ÖLÇÜLER :

DAR	(a x b x h)	:	700 mm x 500 mm x 1800 mm
GENİŞ	(a x b x h)	:	1000 mm x 500 mm x 1800 mm



06A104A

MEDICATION CABINET
ALET İLAÇ DOLABI

- AISI 304 STAINLESS STEEL BODY, SHELVES AND DOOR FRAME
- UPPER PART WITH TWO SWINGING GLASS DOORS
- TWO INTERMEDIATE SHELVES
- LOWER PART WITH TWO DRAWERS & TWO DOOR CABINET
- LOCKABLE DOORS
- HEIGHT ADJUSTABLE RUBBER FEET
- OPTIONAL SWIVEL CASTORS WITH BRAKES

DIMENSIONS :

NARROW	(a x b x h)	:	700 x 300/600 x 1750 mm
WIDE	(a x b x h)	:	1000 x 300/600 x 1750 mm

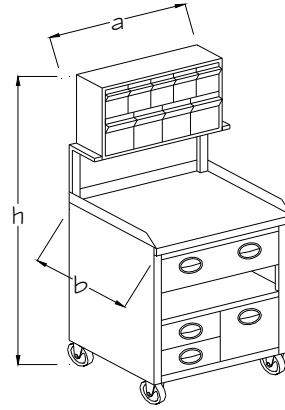
- AISI 304 PASLANMAZ ÇELİK GÖVDE, RAF VE KAPILAR
- ÜST BÖLÜM ÇİFT CAM KAPILI
- 2 ADET ARA RAF
- ALT BÖLÜM 2 ÇEKMECE VE DOLAPLI
- KİLİTLENEBİLİR KAPILAR
- YÜKSEKLİK AYARLI İZ YAPMAYAN AYAKLAR
- OPSİYONEL FRENLİ TEKERLEKLER

ÖLÇÜLER :

DAR	(a x b x h)	:	700 x 300/600 x 1750 mm
GENİŞ	(a x b x h)	:	1000 x 300/600 x 1750 mm



06A106A

ANAESTHESIA TROLLEY
İLAÇ ANESTEZİ ARABASI

- AISI 304 STAINLESS STEEL BODY AND DOORS
- TABLE TOP WITH THREE SIDES RAISED
- TILTING PLASTIC DRAWERS FOR SYRINGES & CANNULAS
- ONE WIDE COMPARTMENT WITH TILTING DOOR
- ONE OPEN COMPARTMENT FOR EASY ACCESS
- ONE DEEP & TWO SHALLOW DRAWERS
- SWIVEL CASTORS WITH BRAKES

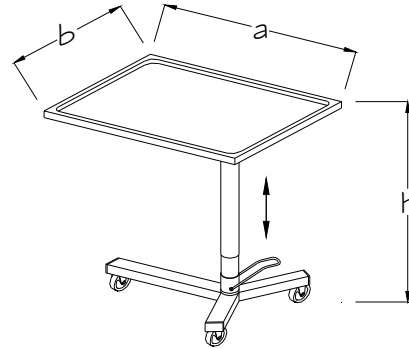
DIMENSIONS :

(a x b x h) : 700 mm x 500 mm x 1040 mm

- AISI 304 PASLANMAZ ÇELİK GÖVDE VE KAPAKLAR
- ÜÇ TARAFI YÜKSELTİLMİŞ ÜST TABLA
- DEVRİLİR PLASTİK ÇEKMECELİ ŞİRINGA-KANÜL RAFI
- BİR ADET DEVRİLİR KAPAKLI GENİŞ BÖLÜM
- BİR ADET KOLAY ERIŞİLEBİLİR AÇIK BÖLÜM
- BİR ADET DERİN, 2 ADET SIĞ ÇEKMECE
- FRENLİ TEKERLEKLER

ÖLÇÜLER :

(a x b x h) : 700 mm x 500 mm x 1040 mm

06A107AHYDRAULIC INSTRUMENT TABLE W/ 40 CM STROKE
MAYO MASASI HİDROLİK - 40 CM KURS**06A107B**HYDRAULIC INSTRUMENT TABLE W/ 25 CM STROKE
MAYO MASASI HİDROLİK - 25 CM KURS

- AISI 304 STAINLESS STEEL FRAME & TABLE TOP
- TABLE TOP WITH FOUR SIDES RAISED
- FOOT OPERATED HYDRAULIC LIFT
- HEIGHT ADJUSTMENT FROM 850 TO 1100 mm (STROKE-25)
- HEIGHT ADJUSTMENT FROM 850 TO 1250 mm (STROKE-40)
- SEPARABLE TABLE TOP FOR EASY TRANSPORT
- SWIVEL CASTORS WITH BRAKES

DIMENSIONS :

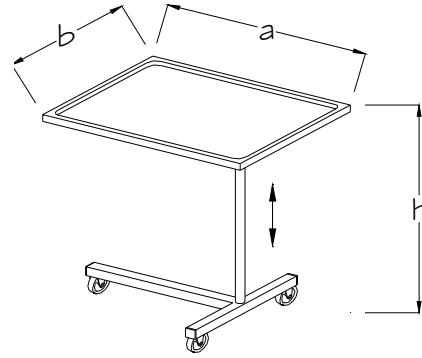
STROKE-25	(a x b x h)	:	850 x 530 x 850/1100 mm
STROKE-40	(a x b x h)	:	850 x 530 x 850/1250 mm

- AISI 304 PASLANMAZ KARKAS VE TABLA
- DÖRT TARAFI İNDİRİMLİ ÜST TABLA
- AYAK KUMANDALI HİDROİK LİFT
- 850 İLE 1100 mm ARASI YÜKSEKLİK AYARI (KURS-25)
- 850 İLE 1250 mm ARASI YÜKSEKLİK AYARI (KURS-40)
- AYRILABİLİR ÜST TABLA
- FRENLİ TEKERLEKLER

ÖLÇÜLER :

KURS-25	(a x b x h)	:	850 x 530 x 850/1100 mm
KURS-40	(a x b x h)	:	850 x 530 x 850/1250 mm



06A108INSTRUMENT TABLE W/ MANUAL HEIGHT ADJUSTMENT
MAYO MASASI MEKANİK

- AISI 304 STAINLESS STEEL FRAME & TABLE TOP
- TABLE TOP WITH FOUR SIDES RAISED
- MANUEL HEIGHT ADJUSTMENT FROM 850 TO 1250 mm
- SWIVEL CASTORS WITH BRAKES

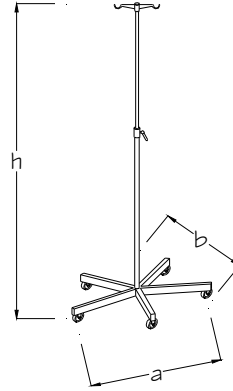
DIMENSIONS :

(a x b x h) : 850 x 530 x 850/1250 mm

- AISI 304 PASLANMAZ KARKAS VE TABLA
- DÖRT TARAFI İNDİRİMLİ ÜST TABLA
- 850 İLE 1250 mm ARASI MANUEL YÜKSEKLİK AYARI
- FRENLİ TEKERLEKLER

ÖLÇÜLER :

(a x b x h) : 850 x 530 x 850/1250 mm

06A109DRIP STAND W/ STAINLES STEEL STILLAGE
SERUM ASKISI (PASLANMAZ GÖVDE VE AYAK)

- AISI 304 STAINLESS STEEL FRAME
- MANUEL HEIGHT ADJUSTMENT FROM 1100 TO 2100 mm
- WITH FOUR HANGERS
- SWIVEL CASTORS

DIMENSIONS :

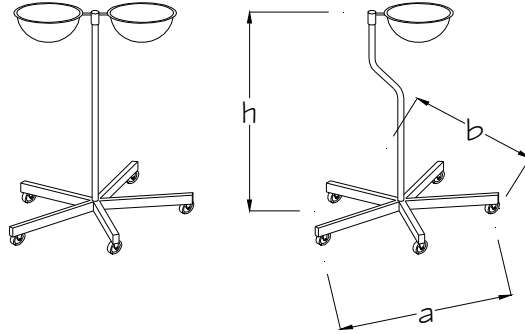
(a x b x h) : 600 x 600 x 1100/2100 mm

- AISI 304 PASLANMAZ ÇELİKTEN MAMÜL
- 1100 İLE 2100 mm ARASI MANUEL YÜKSEKLİK AYARI
- DÖRT ADET SERUM ASKISI
- OYNAR TEKERLEKLER

ÖLÇÜLER :

(a x b x h) : 600 x 600 x 1100/2100 mm



06A110MOBILE BOWL STAND W/ SINGLE BOWL
PORT KÜVET TEKLİ**06A110A**MOBILE BOWL STAND W/ DOUBLE BOWLS
PORT KÜVET İKİLİ

- AISI 304 STAINLESS STEEL FRAME & BOWLS
- 4 LT BOWL CAPACITY
- SWIVEL CASTORS

DIMENSIONS :

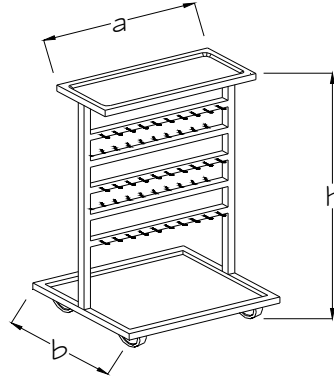
(a x b x h) : 600 mm x 600 mm x 900 mm

- AISI 304 PASLANMAZ ÇELİKTEN MAMÜL
- 4 LT KÜVET KAPASİTESİ
- OYNAR TEKERLEKLER

ÖLÇÜLER :

(a x b x h) : 600 mm x 600 mm x 900 mm

06A113

GAUZE TROLLEY
GAZLI BEZ ARABASI

- AISI 304 STAINLESS STEEL FRAME & TRAY
- 50 GAUZE HANGERS
- REMOVABLE BOTTOM TRAY
- OPTIONAL TOP SHELF WITH 4 SIDES RAISED
- SWIVEL CASTORS WITH BRAKES
- SPECIAL DIMENSIONS POSSIBLE

DIMENSIONS :

(a x b x h) : 700 mm x 500 mm x 1200 mm

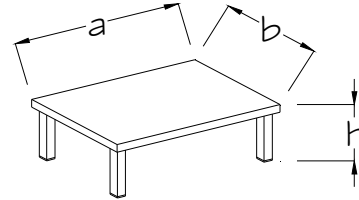
- AISI 304 PASLANMAZ ÇELİK KARKAS VE TEPİSİ
- 50 ADET GAZLI BEZ ASKISI
- ÇIKARTILABİLİR TABAN TAVASI
- DÖRT TARAFI İNDİRİMLİ ÜST TABLA (OPSİYONEL)
- FRENLİ TEKERLEKLER
- İSTENİLEN ÖLÇÜLERDE ÜRETİM İMKANI

ÖLÇÜLER :

(a x b x h) : 700 mm x 500 mm x 1200 mm



- 06A102** MOUNTING STEP - DOUBLE
ESKABO - TEKLİ
- 06A103** MOUNTING STEP - SINGLE
ESKABO - ÇİFTLİ



- AISI 304 STAINLES STEEL FRAME AND TREADS
- WITH SINGLE OR DOUBLE TREADS
- RUBBER FLOOR PADS
- SPECIAL DIMENSIONS POSSIBLE

DIMENSIONS :

SINGLE	(a x b x h)	:	600 mm x 350 mm x 220 mm
DOUBLE	(a x b x h)	:	600 mm x 650 mm x 400 mm

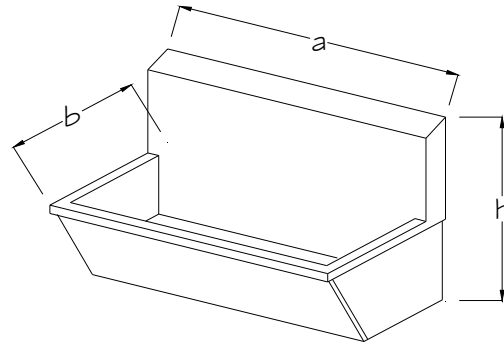
- AISI 304 PASLANMAZ ÇELİK KARKAS VE BASAMAKLAR
- TEK VEYA ÇİFT BASAMAKLI
- İZ YAPMAYAN KAUÇUK AYAKLAR
- İSTENİLEN ÖLÇÜLERDE ÜRETİM İMKANI

ÖLÇÜLER :

TEKLİ	(a x b x h)	:	600 mm x 350 mm x 220 mm
ÇİFTLİ	(a x b x h)	:	600 mm x 650 mm x 400 mm



06A115

WALL MOUNTED SCRUB STATION
DUVARA ASKI AMELİYATHANE EL YIKAMA EVYESİ

- SPECIAL NON-SPLASHING FORM
- EASY CLEANING & HYGIENIC WITH ROUNDED CORNERS
- COMPLETE PRODUCTION WITH AISI 304 STAINLESS STEEL
- OPERATION WITH KNEE, FOOT OR INFRARED CONTROL
- AVAILABLE WITH MANUEL HOT/COLD WATER MIX UNIT
- SPECIAL DIMENSIONS POSSIBLE

DIMENSIONS :

SINGLE	(a x b x h)	:	740 mm x 600 mm x 880 mm
DOUBLE	(a x b x h)	:	1270 mm x 600 mm x 880 mm
TRIPLE	(a x b x h)	:	1800 mm x 600 mm x 880 mm

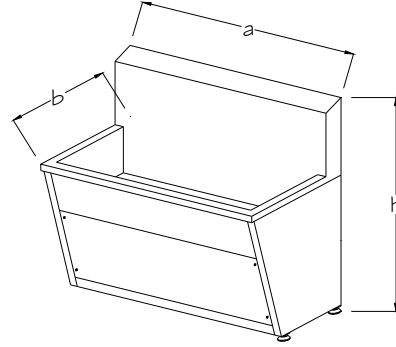
- ÖZEL SIÇRATMAYAN FORM
- YUVARLATILMIŞ KÖŞELERLE KOLAY TEMİZLENEBİLİR
- TAMAMEN AISI 304 PASLANMAZ ÇELİKTEN MAMÜL
- DİZ, AYAK VEYA FOTOSEL KUMANDALI MUSLUKLU
- MANUEL SICAK/SOĞUK MİKSER TAKILABİLİR
- İSTENİLEN ÖLÇÜLERDE ÜRETİM İMKANI

ÖLÇÜLER :

TEKLİ	(a x b x h)	:	740 mm x 600 mm x 880 mm
ÇİFTLİ	(a x b x h)	:	1270 mm x 600 mm x 880 mm
ÜÇLÜ	(a x b x h)	:	1800 mm x 600 mm x 880 mm



06A115A

FREE STANDING SCRUB STATION
AYAKLI AMELİYATHANE EL YIKAMA EVYESİ

- SPECIAL NON-SPLASHING FORM
- EASY CLEANING & HYGIENIC WITH ROUNDED CORNERS
- COMPLETE PRODUCTION WITH AISI 304 STAINLESS STEEL
- OPERATION WITH KNEE, FOOT OR INFRARED CONTROL
- AVAILABLE WITH MANUEL HOT/COLD WATER MIX UNIT
- DETACHABLE FRONT PANEL
- SPECIAL DIMENSIONS POSSIBLE

DIMENSIONS :

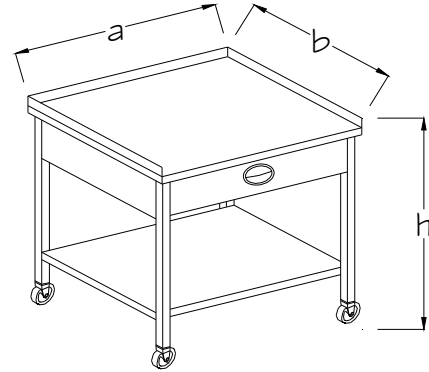
SINGLE	(a x b x h)	:	740 mm x 600 mm x 880 mm
DOUBLE	(a x b x h)	:	1270 mm x 600 mm x 880 mm
TRIPLE	(a x b x h)	:	1800 mm x 600 mm x 880 mm

- ÖZEL SU SIĞIRATMAYAN FORM
- YUVARLATILMIŞ KÖŞELERLE KOLAY TEMİZLENEBİLİR
- TAMAMEN AISI 304 PASLANMAZ ÇELİKTEN MAMÜL
- DİZ, AYAK VEYA FOTOSEL KUMANDALI MUSLUKLU
- MANUEL SICAK/SOĞUK MİKSER TAKILABİLİR
- SÖKÜLEBİLİR ÖN PANEL
- İSTENİLEN ÖLÇÜLERDE ÜRETİM İMKANI

ÖLÇÜLER :

TEKLİ	(a x b x h)	:	740 mm x 600 mm x 880 mm
ÇİFTLİ	(a x b x h)	:	1270 mm x 600 mm x 880 mm
ÜÇLÜ	(a x b x h)	:	1800 mm x 600 mm x 880 mm

- 06A116** UTILITY TABLE - S SIZE
ENSTRÜMAN MASASI - S
- 06A117** UTILITY TABLE - M SIZE
ENSTRÜMAN MASASI - M
- 06A118** UTILITY TABLE - L SIZE
ENSTRÜMAN MASASI - L
- 06A119** UTILITY TABLE - XL SIZE
ENSTRÜMAN MASASI - XL



- AISI 304 STAINLESS STEEL FRAME AND TABLE TOP
- TABLE TOP WITH THREE SIDES RAISED
- WITH LOWER SHELF
- AVAILABLE WITH SINGLE DRAWER
- SWIVEL CASTORS WITH BRAKES

DIMENSIONS :

S SIZE	(a x b x h)	:	600 mm x 400 mm x 850 mm
M SIZE	(a x b x h)	:	700 mm x 500 mm x 850 mm
L SIZE	(a x b x h)	:	800 mm x 600 mm x 850 mm
XL SIZE	(a x b x h)	:	1000 mm x 600 mm x 850 mm

- AISI 304 PASLANMAZ ÇELİK KARKAS VE TABLA
- ÜÇ TARAFI YÜKSELTİLMİŞ ÜST TABLA
- TABAN RAFLI
- ÇEKMECELİ MODEL MEVCUTTUR
- FRENLİ TEKERLEKLER

ÖLÇÜLER :

S SIZE	(a x b x h)	:	600 mm x 400 mm x 850 mm
M SIZE	(a x b x h)	:	700 mm x 500 mm x 850 mm
L SIZE	(a x b x h)	:	800 mm x 600 mm x 850 mm
XL SIZE	(a x b x h)	:	1000 mm x 600 mm x 850 mm

06A125WASTE TROLLEY
ÇÖP KOVASI

- AISI 304 STAINLESS STEEL FRAME & BIN
- RUBBER PROTECTED OUTER HOOP
- BIN WITH HANDLE FOR EASY CARRIAGE
- 4 SWIVEL CASTORS
- 20 LT BIN CAPACITY

DIMENSIONS :

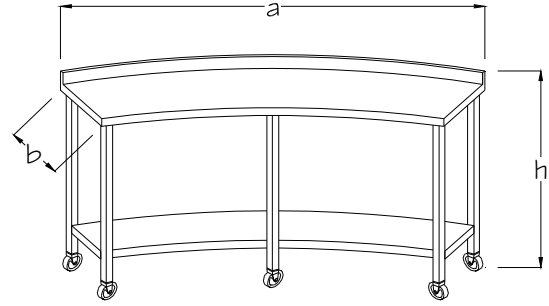
(a x b x h) : 410 mm x 410 mm x 400 mm

- AISI 304 PASLANMAZ ÇELİK ÇEMBER VE KOVA
- PLASTİK KORUMALI DIŞ ÇEMBER
- KOLAY TAŞINABİLİR SAPLI KOVA
- 4 ADET TEKER
- 20 LİTRE KOVA KAPASİTESİ

ÖLÇÜLER :

(a x b x h) : 410 mm x 410 mm x 400 mm



06A128ARCUATED UTILITY TABLE
AY MASA

- AISI 304 STAINLESS STEEL FRAME AND TABLE TOP
- WITH LOWER SHELF
- ARCUATED TABLE TOP & LOWER SHELF
- SWIVEL CASTORS WITH BRAKES

DIMENSIONS :

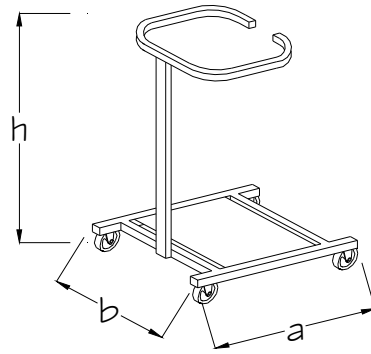
S SIZE (a x b x h) : 1800 mm x 600 mm x 850 mm

- AISI 304 PASLANMAZ ÇELİK KARKAS VE TABLA
- TABAN RAFLI
- YAY FORUMDA ÜST TABLA VE TABAN RAFI
- FRENLİ TEKERLEKLER

ÖLÇÜLER :

S SIZE (a x b x h) : 600 mm x 400 mm x 850 mm



06A126DIRTY LINEN TROLLEY - DOUBLE
ATIK ARABASI 2'Lİ KLİPSLİ MODEL**06A126A**DIRTY LINEN TROLLEY - TEKLİ
ATIK ARABASI TEKLİ KLİPSLİ MODEL

- AISI 304 STAINLESS STEEL FRAME AND LOWER SHELF
- BAG HOLDERS WITH CLAMPING HOOPS
- WITH LOWER SHELF
- AVAILABLE WITH SINGLE OR DOUBLE HOLDERS
- SWIVEL CASTORS WITH BRAKES

DIMENSIONS :

SINGLE	(a x b x h)	:	505 mm x 440 mm x 900 mm
DOUBLE	(a x b x h)	:	1100 mm x 440 mm x 900 mm

- AISI 304 PASLANMAZ ÇELİK KARKAS VE TABAN RAF
- KISKAÇ ÇEMBERLİ TORBA TUTUCULAR
- TABAN RAFLI
- TEK VEYA ÇİFT TUTUCULU
- FRENLİ TEKERLEKLER

ÖLÇÜLER :

TEKLİ	(a x b x h)	:	505 mm x 440 mm x 900 mm
ÇİFTLİ	(a x b x h)	:	1100 mm x 440 mm x 900 mm

06A300HYDRAULIC STOOL
TABURE HİDROLİKLİ

- CHROME PLATED STILLAGE
- HAND OPERATED HEIGHT ADJUSTMENT
- LEATHERETTE COVERED SEAT

DIMENSIONS :

(h) : 520 - 720 mm

- KROM KAPLI AYAK
- MANUEL YÜKSEKLİK AYARI
- SUNİ DERİ KAPLI OTURAK

DIMENSIONS FOR FREE STANDING VERSION :

(h) : 520 - 720 mm

06P101-2-3-4-5 MEDICAL DRESSING TROLLEY PANSUMAN ARABASI



06P101



06P102



06P103



06P104



06P105

- AISI 304 STAINLESS STEEL BODY AND DOORS
- TABLE TOP WITH THREE SIDES RAISED
- VARIOUS DRAWER & COMPARTMENT ALTERNATIVES
- REMOVABLE WASTE BIN
- PUSH HANDLE
- SWIVEL CASTORS WITH BRAKES

DIMENSIONS :

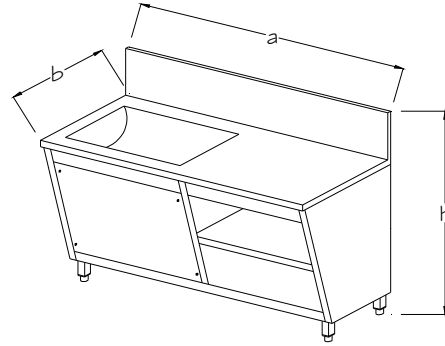
(a x b x h) : 700 mm x 500 mm x 900 mm
800 mm x 600 mm x 900 mm
900 mm x 600 mm x 900 mm

- AISI 304 PASLANMAZ ÇELİK GÖVDE VE KAPAKLAR
- ÜÇ TARAFI YÜKSELTİLMİŞ ÜST TABLA
- ÇEŞİTLİ ÇEKMECE-BÖLÜM ALTERNATİFLERİ
- ÇIKARILABİLİR ÇÖP KOVASI
- İTME KULBU
- FRENLİ TEKERLEKLER

ÖLÇÜLER :

(a x b x h) : 700 mm x 500 mm x 900 mm
800 mm x 600 mm x 900 mm
900 mm x 600 mm x 900 mm

06M177

INFANT WASH SINK
BEBEK YIKAMA EVİYESİ

- COMPLETE PRODUCTION WITH AISI 304 STAINLESS STEEL
- EASY CLEANING & HYGIENIC WITH ROUNDED CORNERS
- SPECIAL NON SPLASHING SINK DESIGN
- OPTIONAL INFRARED OR KNEE OPERATED TAPS
- AVAILABLE WITH MANUAL HOT/COLD WATER MIX UNIT
- SPECIAL DIMENSIONS POSSIBLE

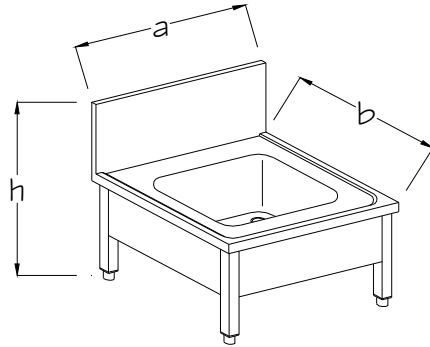
DIMENSIONS :

(a x b x h) : 1600 mm x 600 mm x 850 mm

- TAMAMEN AISI 304 PASLANMAZ ÇELİKTEN MAMÜL
- YUVARLATILMIŞ KÖŞELERLE KOLAY TEMİZLENEBİLİR
- SIÇRATMAYAN ÖZEL EVYE FORMU
- OPSİYONEL FOTOSELLİ VEYA DİZ KUMANDALI MUSLUK
- MANUEL SICAK/SOĞUK MİKSER TAKILABİLİR
- İSTENİLEN ÖLÇÜLERDE ÜRETİM İMKANI

ÖLÇÜLER :

(a x b x h) : 1600 mm x 600 mm x 850 mm

06H101MOP WASH & HAND WASH COMBINED UNIT
PASPAS YIKAMA EVİYESİ, EL YIKAMA EVİYELİ**06H102**MOP WASH UNIT
PASPAS YIKAMA EVİYESİ

- AISI 304 STAINLESS STEEL FRAME, BODY & SINKS
- 2" STANDART DISCHARGE SYPHONS FOR SINKS
- SPRAY TYPE MIXING TAP FOR MOP WASH UNIT
- HEIGHT ADJUSTABLE RUBBER FEET

DIMENSIONS :

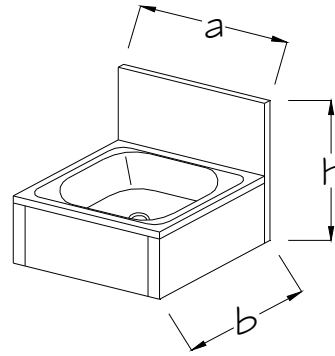
06H101	(a x b x h)	:	700 mm x 600 mm x 900 mm
06H102	(a x b x h)	:	700 mm x 600 mm x 700 mm

- AISI 304 PASPANMAZ ÇELİK KARKAS, GÖVDE VE EVYE
- 2" STANDART GİDER SİFONU
- PASPAS EVYELERİNDE SPREY TİPİ MİX BATARYA
- YÜKSEKLİK AYARLI İZ YAPMAYAN AYAKLAR

ÖLÇÜLER :

06H101	(a x b x h)	:	700 mm x 600 mm x 900 mm
06H102	(a x b x h)	:	700 mm x 600 mm x 700 mm

- 06H114** HAND WASH SINK (KNEE OPERATED)
EL YIKAMA EYESİ (DİZ KUMANDALI)
- 06H115** HAND WASH SINK (KNEE OPERATED W/ SOAP DISPENSER)
EL YIKAMA EYESİ (DİZ KUMANDALI, SABUNLUKLU)
- 06H116** HAND WASH SINK (INFRARED OPERATION)
EL YIKAMA EYESİ (FOTOSELLİ)
- 06H117** HAND WASH SINK (INFRARED OPERATION W/ SOAP DISPENSER)
EL YIKAMA EYESİ (FOTOSELLİ, SABUNLUKLU)



- AISI 304 STAINLESS STEEL BODY & SINK
- EASY CLEANING & HYGIENIC WITH ROUNDED CORNERS
- KNEE OPERATION WITH TIME ADJUSTMENT
- TABLE MOUNTED SOAP DISPENSER WITH 0.5 LT CAPACITY
- 2" STANDART DISCHARGE SYPHON
- OPTIONAL MANUAL HOT/COLD WATER MIX UNIT

DIMENSIONS :

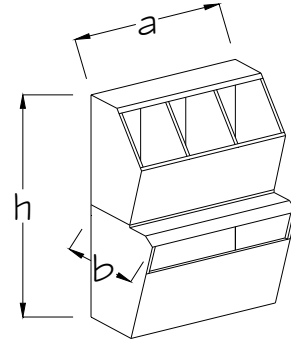
06H114	(a x b x h)	:	500 mm x 420 mm x 500 mm
06H115	(a x b x h)	:	500 mm x 420 mm x 500 mm
06H116	(a x b x h)	:	500 mm x 420 mm x 700 mm
06H117	(a x b x h)	:	500 mm x 420 mm x 700 mm

- AISI 304 PASLANMAZ ÇELİK GÖVDE VE EVYE
- YUVARLATILMIŞ KÖŞELERLE KOLAY TEMİZLENEBİLİR
- ZAMAN AYARLI DİZ KUMANDASI
- TEZGAHA MONTE 0.5 LT HAZNELİ SABUNLUK
- 2" STANDART GİDER SİFONU
- MANUEL SICAK/SOĞUK MİKSER TAKILABİLİR

ÖLÇÜLER :

06H114	(a x b x h)	:	500 mm x 420 mm x 500 mm
06H115	(a x b x h)	:	500 mm x 420 mm x 500 mm
06H116	(a x b x h)	:	500 mm x 420 mm x 700 mm
06H117	(a x b x h)	:	500 mm x 420 mm x 700 mm

06H126

UNIT FOR BONNET, MASK & OVERSHOE
GALOŞ BONE ÜNİTESİ

- AISI 304 STAINLESS STEEL BODY
- STOCK CABINET ON TOP WITH THREE COMPARTMENTS
- REMOVABLE WASTE BIN

DIMENSIONS :

(a x b x h) : 480 mm x 240 mm x 800 mm

- AISI 304 PASLANMAZ ÇELİK GÖVDE
- ÜÇ BÖLMELİ STOK KABİNİ
- ÇIKARTILABİLİR ÇÖP HAZNESİ

ÖLÇÜLER :

(a x b x h) : 480 mm x 240 mm x 800 mm

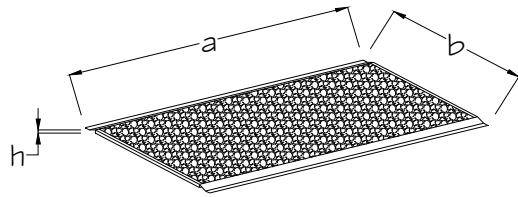
06H178

GRAB BAR
ENGELLİ TUTAMAĞI

- AISI 304 STAINLESS STEEL BAR & PLATE
- HINGED CONNECTION WITH 90° LIFTING UP
- TUBULAR BAR FOR EASY HANDLING

- AISI 304 PASLANMAZ ÇELİK BAR VE PLAKA
- 90 ° KALABİLEN MAFSALI BAĞLANTI
- RAHAT KULLANIMLI BORU TUTAMAK

06H179

HYGIENIC MAT
HİJYEN PASPAS

- AISI 304 STAINLESS STEEL TRAY
- ANTISTATIC, FIREPROOF VINYL MAT
- SPECIAL DIMENSIONS POSSIBLE

- AISI 304 PASLANMAZ ÇELİK TEPSE
- ANTİSTATİK, YANMAZ VİNİL PASPAS
- İSTENİLEN ÖÇÜLERDE ÜRETİM İMKANI

DIMENSIONS :

SINGLE (a x b x h) : 1200 mm x 600 mm x 15 mm

DIMENSIONS FOR FREE STANDING VERSION :

SINGLE (a x b x h) : 740 mm x 600 mm x 1300 mm



06M176MORGUE UNIT (SIDE LOADED, DOUBLE)
*MORG (İKİLİ, YANDAN YÜKLEMELİ)***06M176**MORGUE UNIT (FRONT LOADED, DOUBLE)
MORG (İKİLİ, ÖNDEN YÜKLEMELİ)

- AISI 304 STAINLESS STEEL BODY (EXCEPT BACKSIDE)
- DIGITALLY CONTROLLED COOLING BY VENTILATION
- AISI 304 STAINLESS STEEL TRAYS ON EASY MOVING RAILS
- EASY LOADING & UNLOADING BY SEPARABLE TRAYS
- FRONT LOADED OR 3 TRAY MODELS POSSIBLE
- SWIVEL CASTORS

DIMENSIONS :

(a x b x h) : 2200 mm x 800 mm x 1800 mm
(a x b x h) : 800 mm x 2200 mm x 1800 mm

- AISI 304 PASPANMAZ ÇELİK GÖVDE (ARKA YÜZEY HARİÇ)
- DİJİTAL KONTROLLÜ, FANLI SOĞUTMA
- KOLAY HAREKET EDEN RAYLAR ÜZERİNDE AISI 304 TEPŞİLER
- ÇIKABİLEN TİP SEDYE SAYESİNDE KOLAY YÜKLEME-BOŞALTMA
- ÖNDEN YÜKLEMELİ VEYA 3 KATLI ÜRETİM İMKANI
- OYNAR TEKERLEKLER

ÖLÇÜLER :

(a x b x h) : 2200 mm x 800 mm x 1800 mm
(a x b x h) : 800 mm x 2200 mm x 1800 mm

- 06M176A** MORGUE UNIT (SIDE LOADED, TRIPLE)
MORG (ÜÇLÜ, YANDAN YÜKLEMELİ)
- 06M176A** MORGUE UNIT (FRONT LOADED, TRIPLE)
MORG (ÜÇLÜ, ÖNDEN YÜKLEMELİ)
- 06M192** HYDROLIC LOADING CAR
YÜKLEME ARABASI HİDROLİK



- AISI 304 STAINLESS STEEL BODY (EXCEPT BACKSIDE)
- DIGITALLY CONTROLLED COOLING BY VENTILATION
- AISI 304 STAINLESS STEEL TRAYS ON EASY MOVING RAILS
- EASY LOADING & UNLOADING BY SEPARABLE TRAYS
- SWIVEL CASTORS

OPTIONAL LOADING AND UNLOADING CAR

DIMENSIONS :

(a x b x h) : 2200 mm x 800 mm x 2300 mm
(a x b x h) : 800 mm x 2200 mm x 2300 mm

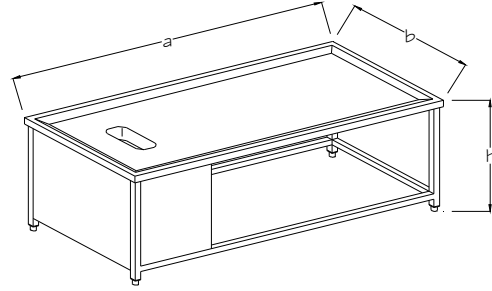
- AISI 304 PASPANMAZ ÇELİK GÖVDE (ARKA YÜZEY HARİÇ)
- DİJİTAL KONTROLLÜ, FANLI SOĞUTMA
- KOLAY HAREKET EDEN RAYLAR ÜZERİNDE AISI 304 TEPŞİLER
- ÇIKABİLEN TİP SEDYE SAYESİNDE KOLAY YÜKLEME-BOŞALTMA
- OYNAR TEKERLEKLER
- OPSİYONEL YÜKLEME VE BOŞALTMA ARABASI

ÖLÇÜLER :

(a x b x h) : 2200 mm x 800 mm x 2300 mm
(a x b x h) : 800 mm x 2200 mm x 2300 mm



06M175

CORPSE WASHING UNIT
GASİL TEZGAHI

- AISI 304 STAINLESS STEEL FRAME, BODY & SINK
- TABLE TOP WITH 4 SIDES RAISED
- 2" STANDART DISCHARGE SYPHONS FOR SINK
- SPRAY TYPE MIXING TAP
- HEIGHT ADJUSTABLE RUBBER FEET

DIMENSIONS :

06H101 (a x b x h) : 2250 mm x 900 mm x 900 mm

- AISI 304 PASPANMAZ ÇELİK KARKAS, GÖVDE VE EVVE
- 4 TARAFI İNDİRİMLİ ÜST TABLA
- 2" STANDART GİDER SİFONU
- SPREY TİPİ MİX BATARYA
- YÜKSEKLİK AYARLI İZ YAPMAYAN AYAKLAR

ÖLÇÜLER :

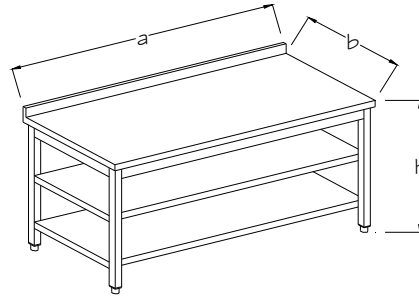
06H101 (a x b x h) : 2250 mm x 900 mm x 900 mm



STERILIZATION

STERİLİZASYON GRUBU

- 06S125** WORKING BENCH
ÇALIŞMA TEZGAHI
- 06S126** WORKING BENCH W/ LOWER SHELF
ÇALIŞMA TEZGAHI (TABAN RAFLI)
- 06S127** WORKING BENCH W/ 2 SHELVES
ÇALIŞMA TEZGAHI (TABAN VE ARA RAFLI)
- 06S131** WORKING BENCH W/ 2 SHELVES & 3 DRAWERS
ÇALIŞMA TEZGAHI (TABAN RAFLI, 3 ÇEKMECELİ)



- AISI 304 STAINLESS STEEL FRAME & SHELVES
- HEIGHT ADJUSTABLE RUBBER FEET
- OPTIONAL SWIVEL CASTORS WITH BRAKES
- SPECIAL DIMENSIONS POSSIBLE

DIMENSIONS :

(a x b x h)	:	900 mm x 600 mm x 850 mm
(a x b x h)	:	1200 mm x 600 mm x 850 mm
(a x b x h)	:	1500 mm x 600 mm x 850 mm
(a x b x h)	:	1800 mm x 600 mm x 850 mm
(a x b x h)	:	900 mm x 700 mm x 850 mm
(a x b x h)	:	1200 mm x 700 mm x 850 mm
(a x b x h)	:	1500 mm x 700 mm x 850 mm
(a x b x h)	:	1800 mm x 700 mm x 850 mm

- AISI 304 KARKAS VE RAFLAR
- YÜKSEKLİK AYARLI İZ YAPMAYAN AYAKLAR
- OPSİYONEL FRENLİ TEKERLEKLER
- İSTENİLEN ÖLÇÜLERDE ÜRETİM İMKANI

ÖLÇÜLER :

(a x b x h)	:	900 mm x 600 mm x 850 mm
(a x b x h)	:	1200 mm x 600 mm x 850 mm
(a x b x h)	:	1500 mm x 600 mm x 850 mm
(a x b x h)	:	1800 mm x 600 mm x 850 mm
(a x b x h)	:	900 mm x 700 mm x 850 mm
(a x b x h)	:	1200 mm x 700 mm x 850 mm
(a x b x h)	:	1500 mm x 700 mm x 850 mm
(a x b x h)	:	1800 mm x 700 mm x 850 mm



STERILIZATION

STERİLİZASYON GRUBU

06S128

WORKING BENCH W/ CABINET
ÇALIŞMA TEZGAHI (DOLAPLI, TABAN RAFLI)

06S129

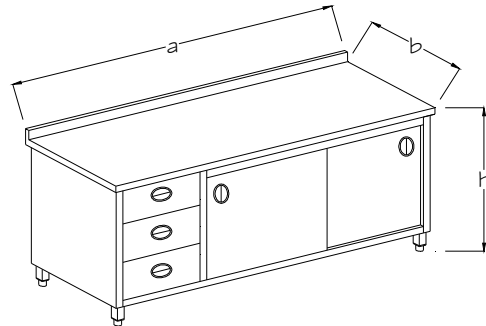
WORKING BENCH W/ CABINET & 2 SHELVES
ÇALIŞMA TEZGAHI (DOLAPLI, TABAN VE ARA RAFLI)

06S132

WORKING BENCH W/ CABINET & 3 DRAWERS
ÇALIŞMA TEZGAHI (DOLAPLI, 3 ÇEKMECELİ)

06S133

WORKING BENCH W/ CABINET & 2 SHELVES & 3 DRAWERS
ÇALIŞMA TEZGAHI (DOLAPLI, TABAN VE ARA RAFLI, 3 ÇEKMECELİ)



- AISI 304 STAINLESS STEEL FRAME, BODY & SHELVES
- SLIDING OR SWINGING DOORS
- HEIGHT ADJUSTABLE RUBBER FEET
- OPTIONAL SWIVEL CASTORS WITH BRAKES
- SPECIAL DIMENSIONS POSSIBLE

DIMENSIONS :

(a x b x h)	:	900 mm x 600 mm x 850 mm
(a x b x h)	:	1200 mm x 600 mm x 850 mm
(a x b x h)	:	1500 mm x 600 mm x 850 mm
(a x b x h)	:	1800 mm x 600 mm x 850 mm
(a x b x h)	:	900 mm x 700 mm x 850 mm
(a x b x h)	:	1200 mm x 700 mm x 850 mm
(a x b x h)	:	1500 mm x 700 mm x 850 mm
(a x b x h)	:	1800 mm x 700 mm x 850 mm

- AISI 304 KARKAS, GÖVDE VE RAFLAR
- KAYAR VEYA ÇARPMA KAPILAR
- YÜKSEKLİK AYARLI İZ YAPMAYAN AYAKLAR
- OPSİYONEL FRENLİ TEKERLEKLER
- İSTENİLEN ÖLÇÜLERDE ÜRETİM İMKANI

ÖLÇÜLER :

(a x b x h)	:	900 mm x 600 mm x 850 mm
(a x b x h)	:	1200 mm x 600 mm x 850 mm
(a x b x h)	:	1500 mm x 600 mm x 850 mm
(a x b x h)	:	1800 mm x 600 mm x 850 mm
(a x b x h)	:	900 mm x 700 mm x 850 mm
(a x b x h)	:	1200 mm x 700 mm x 850 mm
(a x b x h)	:	1500 mm x 700 mm x 850 mm
(a x b x h)	:	1800 mm x 700 mm x 850 mm



STERILIZATION

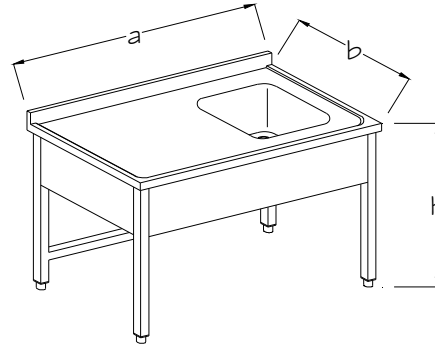
STERİLİZASYON GRUBU

06S141

SINGLE BOWL SINK UNIT
TEK KÜVETLİ TEZGAH

06S142

DOUBLE BOWL SINK UNIT
ÇİFT KÜVETLİ TEZGAH



- AISI 304 STAINLESS STEEL FRAME, BODY & SINKS
- 2" STANDART DISCHARGE SYPHONS FOR SINKS
- HEIGHT ADJUSTABLE RUBBER FEET

DIMENSIONS :

(a x b x h)	:	900 mm x 600 mm x 850 mm
(a x b x h)	:	1200 mm x 600 mm x 850 mm
(a x b x h)	:	1500 mm x 600 mm x 850 mm
(a x b x h)	:	1800 mm x 600 mm x 850 mm
(a x b x h)	:	900 mm x 700 mm x 850 mm
(a x b x h)	:	1200 mm x 700 mm x 850 mm
(a x b x h)	:	1500 mm x 700 mm x 850 mm
(a x b x h)	:	1800 mm x 700 mm x 850 mm

- AISI 304 PASPANMAZ ÇELİK KARKAS, GÖVDE VE EVYE
- 2" STANDART GİDER SIFONU
- YÜKSEKLİK AYARLI İZ YAPMAYAN AYAKLAR

ÖLÇÜLER :

(a x b x h)	:	900 mm x 600 mm x 850 mm
(a x b x h)	:	1200 mm x 600 mm x 850 mm
(a x b x h)	:	1500 mm x 600 mm x 850 mm
(a x b x h)	:	1800 mm x 600 mm x 850 mm
(a x b x h)	:	900 mm x 700 mm x 850 mm
(a x b x h)	:	1200 mm x 700 mm x 850 mm
(a x b x h)	:	1500 mm x 700 mm x 850 mm
(a x b x h)	:	1800 mm x 700 mm x 850 mm

06S144ANMEDICAL PACKAGING UNIT
PAKETLEME TEZGAHI

- AISI 304 FRAME, TABLE TOP & SHELVES
- ONE SHELF FOR ROLL DISPENSING
- 3 SHELVES HOLDING ROLLS & GOODS
- ALL SHELVES REMOVABLE
- DRAWER WITH STEEL RAILS
- HEIGHT ADJUSTABLE RUBBER FEET
- OPTIONAL SWIVEL CASTORS WITH BRAKES

DIMENSIONS :

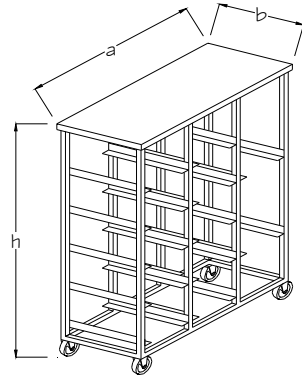
(a x b x h) : 1600 mm x 600 mm x 850 mm

- AISI 304 PASLANMAZ ÇELİK KARKAS, TABLA VE RAFLAR
- BİR ADET RULO VERİCİ RAF
- 3 ADET RULO VE MALZEME RAFI
- SÖKÜLEBİLİR RAFLAR
- ÇELİK RAYLI ÇEKMECE
- YÜKSEKLİK AYARLI İZ YAPMAYAN AYAKLAR
- OPSİYONEL FRENLİ TEKERLEKLER

ÖLÇÜLER :

(a x b x h) : 1600 mm x 600 mm x 850 mm

06S147

CONTAINER CARRYING TROLLEY
KONTEYNER TAŞIMA ARABASI

- AISI 304 STAINLESS STEEL FRAME
- GUIDE RAILS FOR CONTAINERS
- 12 CONTAINER CAPACITY (5 + 5 + 2)
- SWIVEL CASTORS WITH BRAKES
- SPECIAL DIMENSIONS & CONFIGURATIONS POSSIBLE

DIMENSIONS :

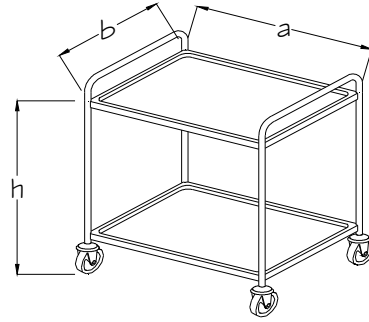
(a x b x h) : 1070 mm x 670 mm x 1350 mm

- AISI 304 PASLANMAZ ÇELİK KARKAS
- KONTEYNER TUTUCU KIZAKLAR
- 12 KONTEYNER KAPASİTELİ (5 + 5 + 2)
- FRENLİ TEKERLEKLER
- İSTENİLEN ÖLÇÜ VE KONFIGÜRASYONLARDA ÜRETİM İMKANI

ÖLÇÜLER :

(a x b x h) : 1070 mm x 670 mm x 1350 mm

06S151

SIFTING CART
AYIKLAMA ÜNİTESİ

- AISI 304 STAINLESS STEEL FRAME & SHELVES
- SHELVES WITH FOUR SIDES RAISED
- PUSH HANDLES ON BOTH SIDES
- SWIVEL CASTORS WITH BRAKES

DIMENSIONS :

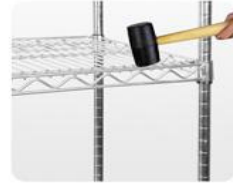
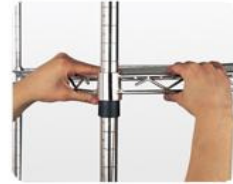
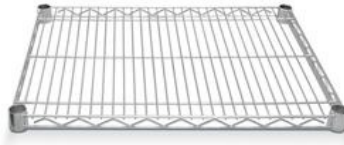
(a x b x h) : 760 mm x 560 mm x 900 mm

- AISI 304 PASLANMAZ ÇELİK KARKAS VE RAFLAR
- DÖRT TARAFI İNDİRİMLİ RAFLAR
- İKİ YANDA İTME KULBU
- FRENLİ TEKERLEKLER

ÖLÇÜLER :

(a x b x h) : 760 mm x 560 mm x 900 mm

S09136

TAKEDOWN SHELVING UNIT
DEMONTE İSTİF RAFI

Raf Ölçüleri (cm)

61 x 36	61 x 46	61 x 53	61 x 61	152 x 76
76 x 36	76 x 46	76 x 53	76 x 61	183 x 76
91 x 36	91 x 46	91 x 53	91 x 61	
107 x 36	107 x 46	107 x 53	107 x 61	
122 x 36	122 x 46	122 x 53	122 x 61	
137 x 36	137 x 46	137 x 53	137 x 61	
152 x 36	152 x 46	152 x 53	152 x 61	
183 x 36	183 x 46	183 x 53	183 x 61	

Yükseklik Ölçüleri (cm)

15 - 36 - 86 - 137 - 150 - 160 - 183 - 216 - 244

- AISI 201 STAINLESS STEEL POSTS & SHELVES
- HEIGHT ADJUSTABLE SHELVES BY 25mm (1") INCREMENTS
- WITH 4 TIERS (MORE OR LESS BY OPTION)
- WIDE RANGE OF DIMENSIONS
- EASY MOUNTING & DEMOUNTING
- HEIGHT ADJUSTABLE RUBBER FEET
- OPTIONAL SWIVEL CASTORS WITH BRAKES

DIMENSIONS :

(a) :	910-1070-1220-1370-1520-1830 mm
(b) :	360-460-530-610 mm
(h) :	1500-1600-1830-2160 mm

- AISI 304 PASLANMAZ ÇELİK AYAK VE RAFLAR
- 25mm (1") ARALIKLARLA YÜKSEKLİK AYARLI RAFLAR
- 4 RAFLI (OPSİYONEL OLARAK ARTIP AZALABİLİR)
- ÇOK ÇEŞİTLİ ÖLÇÜ ALTERNATİFLERİ
- KOLAY SÖKME VE TAKMA
- YÜKSEKLİK AYARLI İZ YAPMAYAN AYAKLAR
- OPSİYONEL FRENLI TEKERLEKLER

ÖLÇÜLER :

(a) :	910-1070-1220-1370-1520-1830 mm
(b) :	360-460-530-610 mm
(h) :	1500-1600-1830-2160 mm

06A101*CATHETER CABINET
KATATER DOLABI*

- AISI 304 STAINLESS STEEL BODY, SHELVES AND DOOR FRAME
- UPPER RIGHT SECTION TELESCOPIC HANGER OF CATHETER
- SECTION 1 UNIT LEFT AND 5 PIECE DRAWER CABINET
- HEIGHT ADJUSTABLE RUBBER FEET
- OPTIONAL SWIVEL CASTORS WITH BRAKES

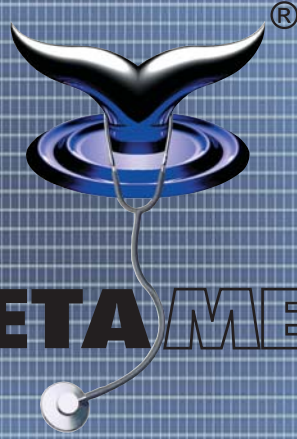
DIMENSIONS :

(a x b x h) : 1100 x 560 x 1930 mm

- AISI 304 PASLANMAZ ÇELİK GÖVDE, RAF VE KAPILAR
- SAĞ BÖLÜMDE ÜSTTE TELESKOPİK KATATER ASKILARI
- SOL BÖLÜMDE 1 ADET DOLAP VE 5 ADET ÇEKMECE
- YÜKSEKLİK AYARLI İZ YAPMAYAN AYAKLAR
- OPSİYONEL FRENLİ TEKERLEKLER

ÖLÇÜLER :

(a x b x h) : 1100 x 560 x 1930 mm



SETA MEDICA



Talatpaşa Mah. Aslangazi Cad. Bayındır Sok. No:10/A Kağıthane/İstanbul
Tel: (0.212) 320 0 320 Fax: (0.212) 210 25 44

www.islakhacim.com - info@islakhacim.com